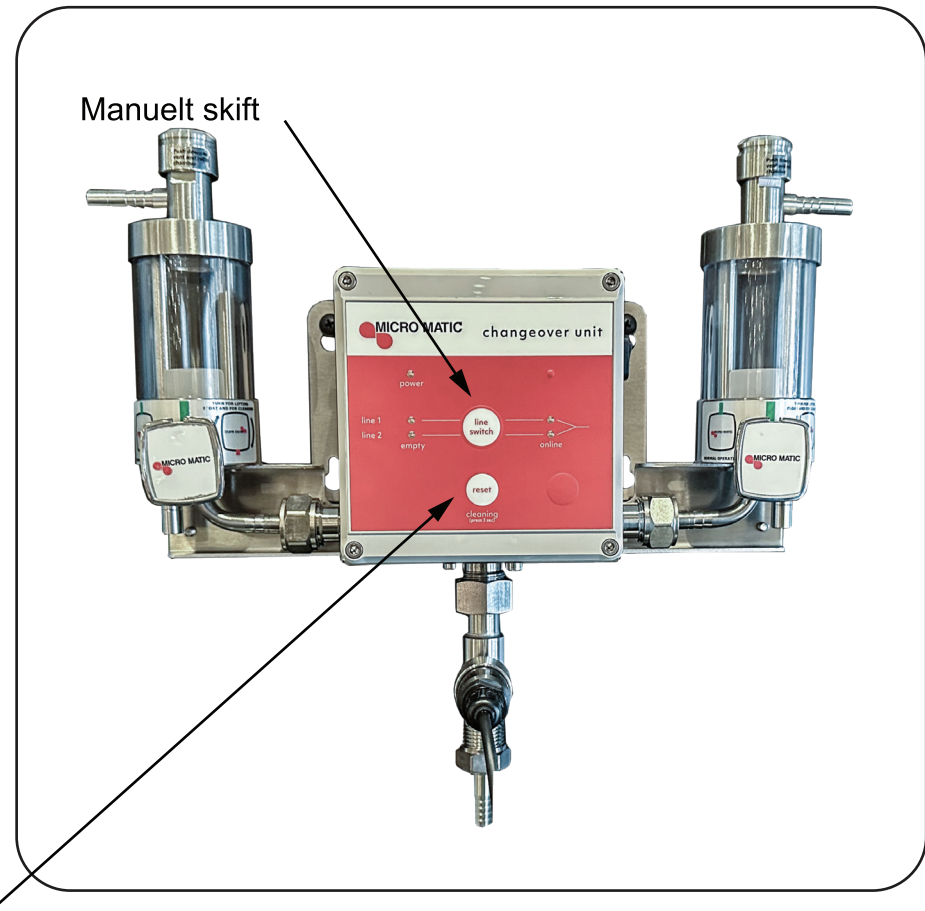
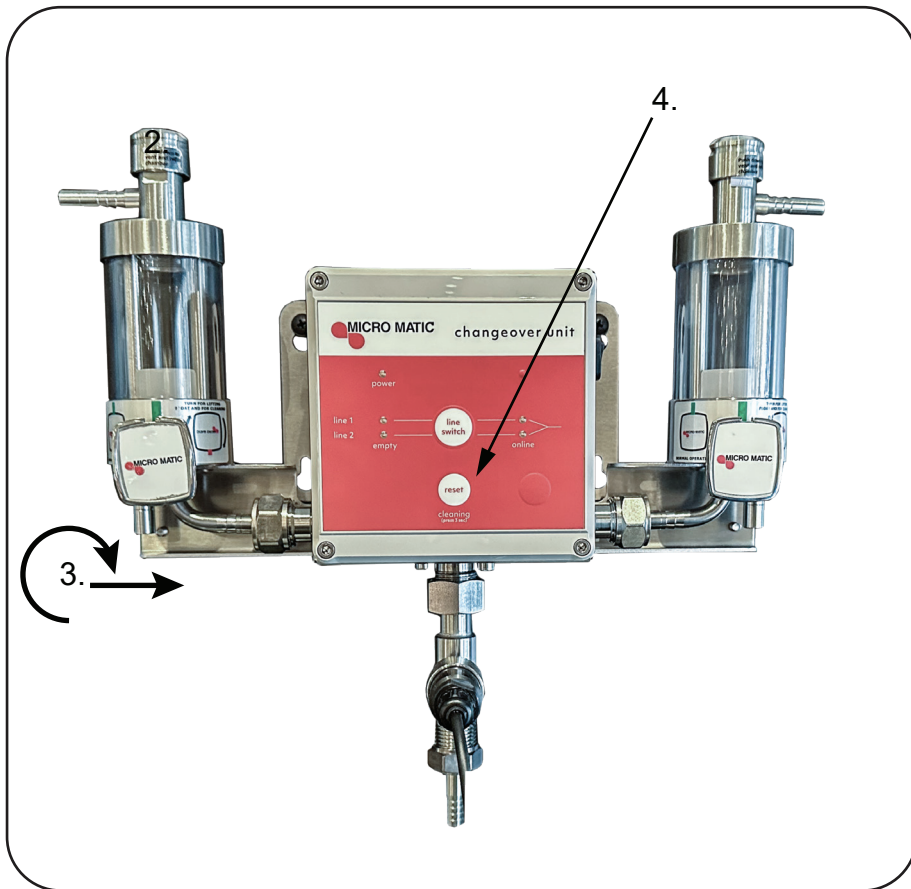


Instruction for Keg Change Over Unit

When one Keg is empty the change over unit automatically switches to the next.

Proceed with the following steps:

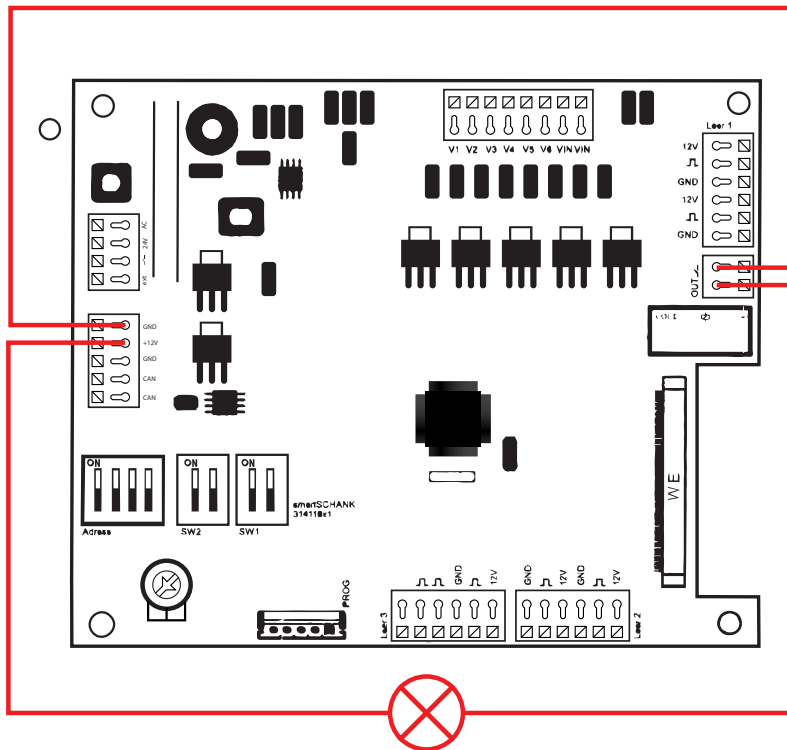
- 1: Connect a new Keg.
- 2: Bleed the Fob Detector.
- 3: Release the float.
- 4: Reset the unit by pressing the "Reset" button.



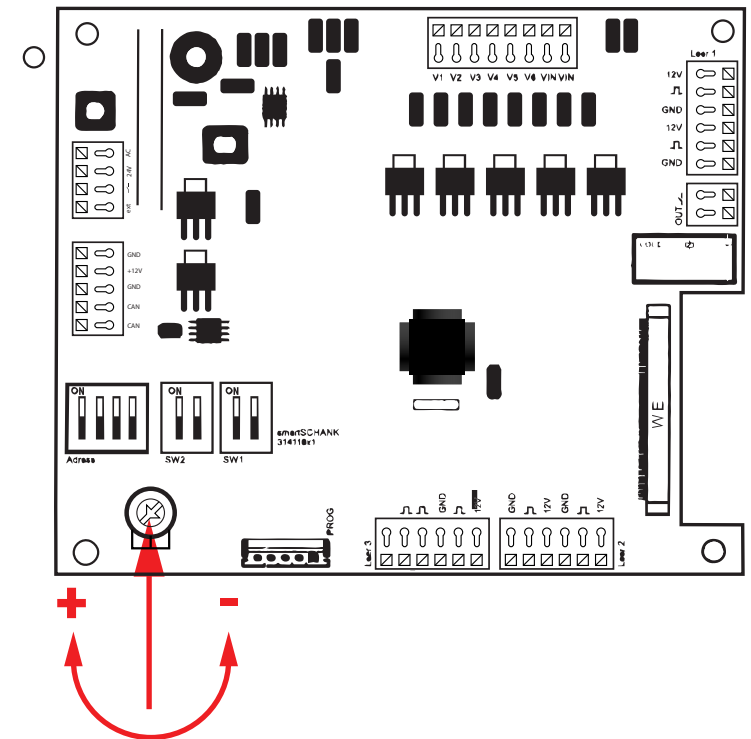
How to connect an external signal lamp

Adjustment of switching pressure

This cable comes preinstalled from MM



Use 12V Lamp



Potentiometer for adjustment of the switch pressure.

*The potentiometer is set to ~ 1 bar
Min. 0 Bar
Max. 3 Bar*